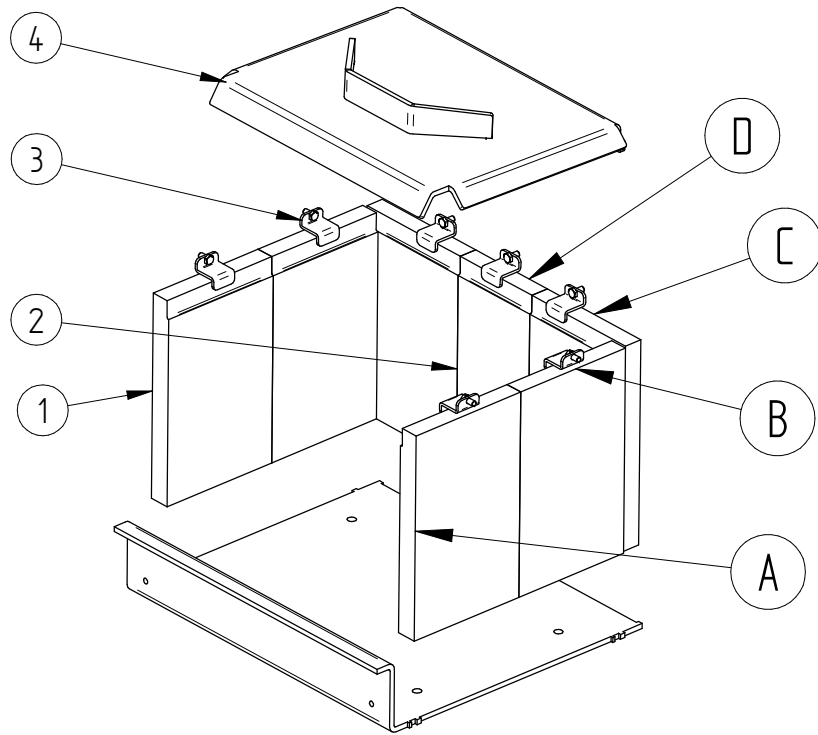


BRICK & BAFFLE LAYOUT FOR ALL
SOFTWOOD & HARDWOOD MODELS WHICH INCLUDES
NZ - R3000 PED, LEG, ASH, WOOD STACKER AND
RURAL VERSIONS
AUS - RUBYVALE, ROCKWOOD & ROMSEY

BRICK - BAFFLE PART IDs			
ITEM	PART ID	DESCRIPTION	QUANTITY
1*	MIC00354	MIC BRICK	6
2*	592206	R3000 BRICK 25 X 115 X 250	1
3*	HBA00118	HBA BRICK RETAINER	7
4*	992189	R3000 BAFFLE SUB ASSEMBLY	1



BRICK INSTALLATION SEQUENCE -

MAKE SURE THE SMALL STEP ON TOP OF BRICK IS FACING INSIDE THE FIREBOX.

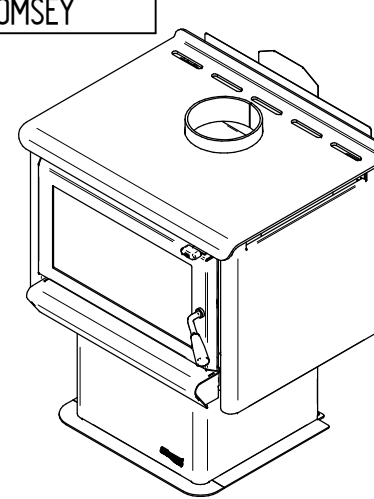
(A) INSTALL ONE BRICK EACH SIDE BY PLACING BETWEEN THE 2 X BOLT HEADS ON THE FIREBOX

FLOOR. SLIDE THESE BRICKS FORWARD TO THE FRONT OF THE FIREBOX.

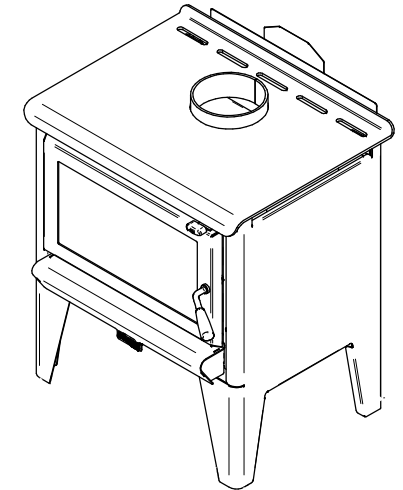
(B) NEXT FIT IN POSITION THE TWO REAR-SIDE BRICKS.

(C) THEN FIT THE REAR-LEFT AND REAR-RIGHT CORNER BRICKS.

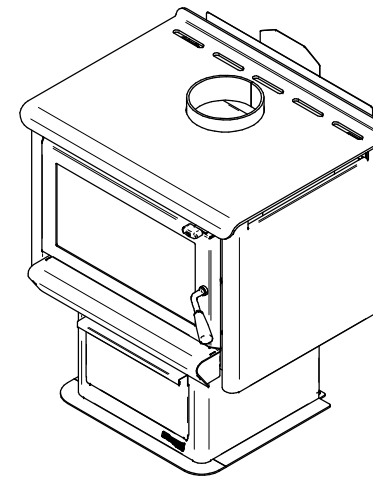
(D) LASTLY FIT THE CENTER-REAR, HALF BRICK.



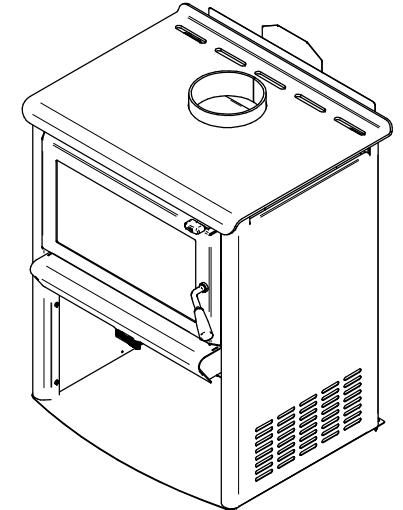
NZ - R3000 PED
AUS - RUBYVALE



NZ - R3000 LEG
AUS - ROCKWOOD



NZ - R3000 ASH



NZ - R3000 WOOD STACKER
AUS - ROMSEY